



Vidheksh
SLIDING HEAD SOLUTIONS

VIRAL MEHTA | 99796 86648

**C-131, SUMEL - 7, SONI NI CHALI, RAKHIYAL,
AHMEDABAD - 380023, GUJARAT**

URL : www.vidheksh.com

Email : solution@vidheksh.com

**Click on the
BRAND LOGO**



to access directly.

**Click on the
BACK BUTTON**



below to return to the main page



PRODUCT LINE...1

Click on Product LOGO for direct access

SPHOORTI
Precision Assured

HARDIK
CNC Automation

 **AUTOBITS**
INDUSTRY 4.0 | Iot System

FitWell
Collets & Accessories

Meson
Cutting Tools

LEXIS
TOOLING SYSTEMS PVT. LTD.

TOOLFAST

 **ESPRIT**
CAD/CAM SOFTWARE

DIAMETAL
Swiss Cutting Tool

BRT 

 **KEMMER**
HARTMETALLWERKZEUGE GmbH

 **Bimu** 
cutting tools & accessories

HAHNREITER
GEWINDETECHNIK

 **f. britsch**

PRODUCT LINE...2

Click on Product LOGO for direct access

tecnicrafts[®]
COLLETS & GUIDE BUSHINGS



SURGICAL PLATES DEVELOPMENT



SURGICAL SCREWS DEVELOPMENT



SURGICAL SCREWS INSERTS



BACK

SPHOORTI

Precision Assured



Product Range :-

- TOOL DISC (TURRET) VDI | BMT
- TOOL HOLDER - VDI | BMT
- DRIVEN TOOL HOLDERS - VDI | BMT
- VMC BT HOLDER
- VTP HOLDER

Vidheksh
SLIDING HEAD SOLUTIONS



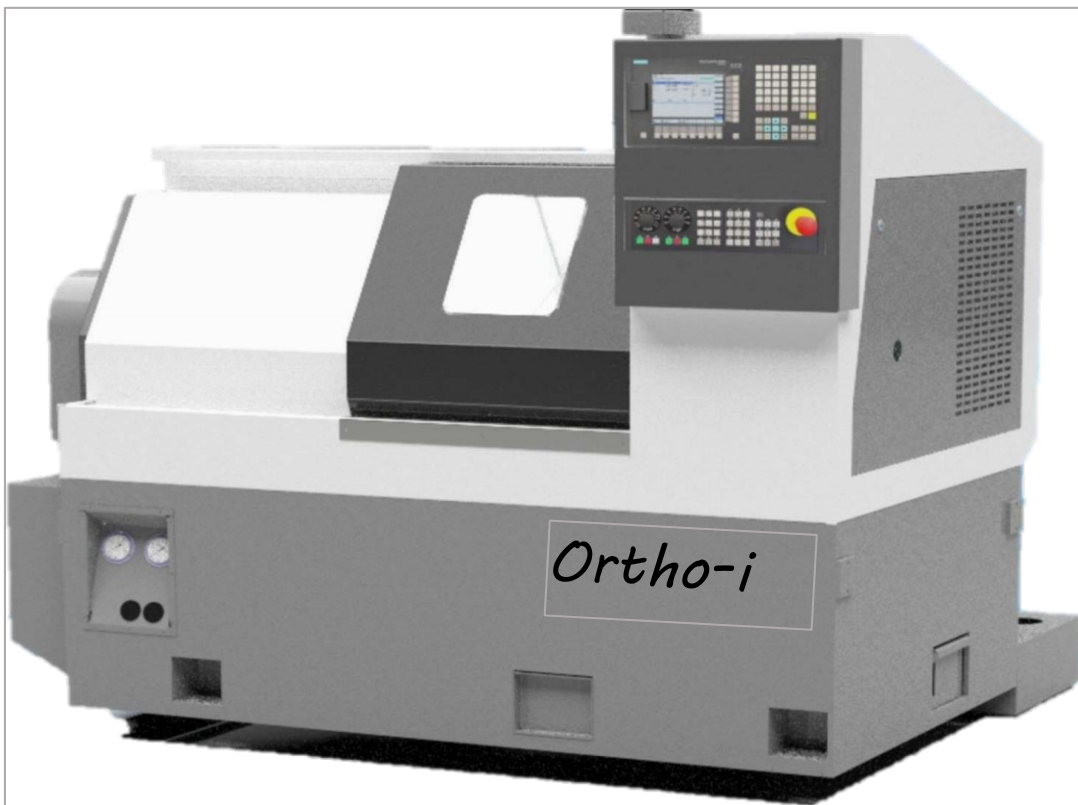
ACCESSORIES FOR CNC & VMC MACHINE

BACK



HARDIK

CNC Automation



ORTHO i CNC MACHINE FOR SURGICAL SCREWS

- DELTA NC-200 CONTROLLER WITH QUICK, EASY AND SIMPLE PROGRAMMING TECHNIQUE..
- EFFORTLESS AND EASY CHANGE OVER AND SET UP.
- HEXAGONAL BROACHING CAN ALSO BE DONE.
- ROBUST AND RIGID MACHINE STRUCTURE.
- DEDICATED MACHINE FOR SURGICAL SCREWS MANUFACTURING.

Vidheksh
SLIDING HEAD SOLUTIONS



ORTHO i – CNC MACHINE

BACK





AUTOBITS



FEASIBILITY

- CNC Turning
- VMC Machine
- HMC Machine
- PLC Machine
- SPM Machine

- Production Report
- Tool Usage Report
- Downtime Analysis Report
- OEE Reports
- Alerts & Alarm Reports
- Custom Reports

Shift wise
 Daily
 Weekly
 Monthly
 Yearly
 Reports available

Vidheksh
 SLIDING HEAD SOLUTIONS



INDUSTRY 4.0 | Iot System

SMART- DIGITAL SUPERVISOR FOR CNC'S

BACK





Collets & Accessories



CNC COLLET CHUCK



BAR PULLER



TRAUB FINGERS



Vidheeksh
SLIDING HEAD SOLUTIONS



CNC COLLETS & ACCESSORIES

BACK

Meson

Cutting Tools



Product Range :-

- CUSTOM DESIGN SC TOOL
- BROACHING TOOL
- DOVETAILED CUTTER
- SC DRILL, END MILL, BALL MILL CUTTER

Vidheksh
SLIDING HEAD SOLUTIONS



SOLID CARBIDE TOOLINGS

BACK





Product Range :-

- BT ADAPTOR
- ER COLLET
- TG|DA COLLETS
- PULL STUD
- HYDRO GRIP SLEEVES

TOOLFAST



Product Range :-

- CLAMPS & CLAMPING ELEMENTS
- WIRE CUT EDM WORK HOLDERS
- MILLING & GRINDING ACCESSORIES
- PNEUMATIC & HYDRAULIC CLAMPS

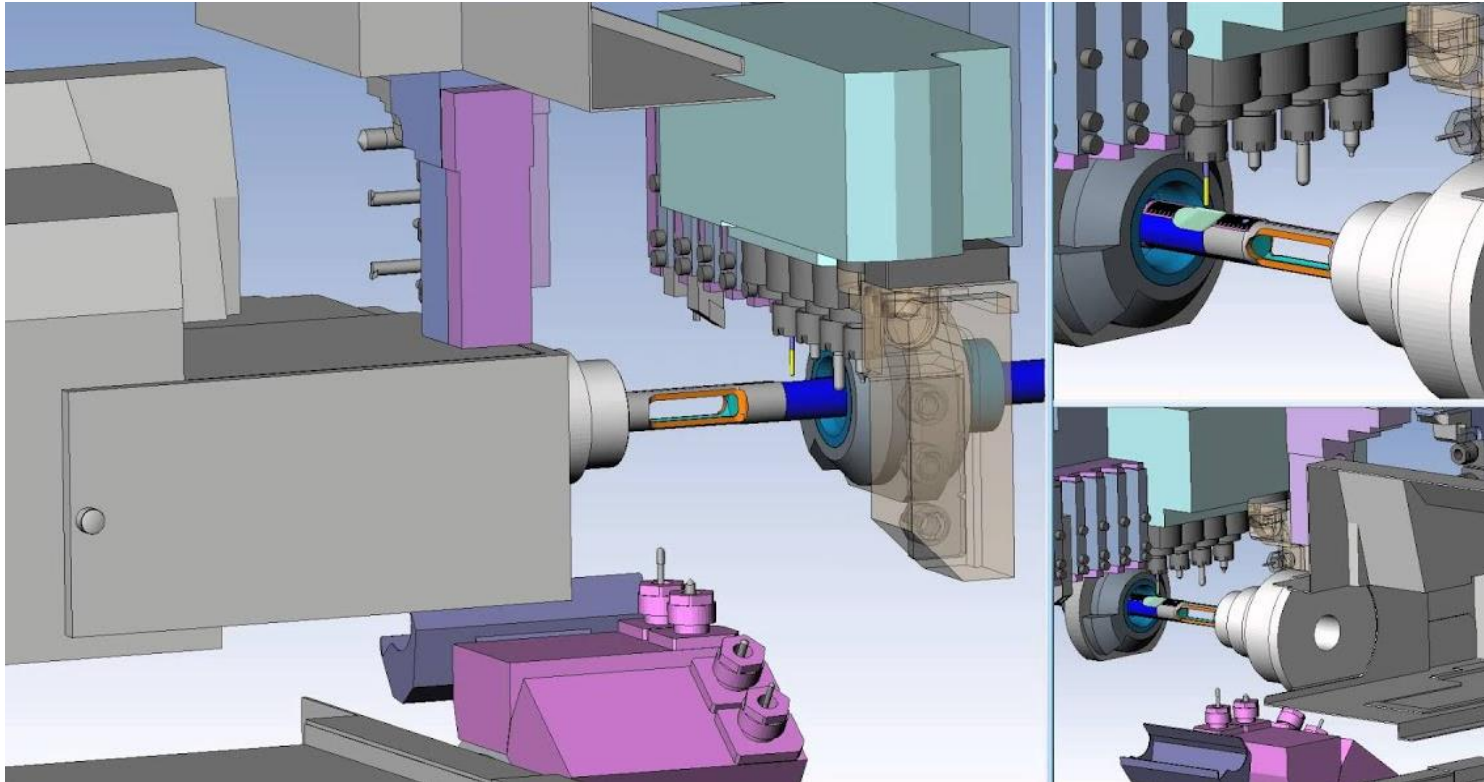
Vidheeksh
SLIDING HEAD SOLUTIONS



CLAMPING ACCESSORIES

BACK





- 2-5 Axis Milling
- 2-22 axis Turning
- High Speed Machining
- Wire EDM
- Multitasking Machining

Vidheksh
SLIDING HEAD SOLUTIONS



CAM SOLUTION

Vidheksh Associate with



Authorized Value Added Reseller - Gujarat



radan

BACK



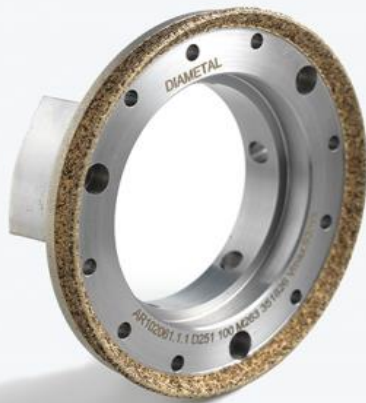
DIAMETAL

Swiss Cutting Tool



DIAMETAL

Group 



simply **D**ifferent

Product Range : -

- PARTING | GROOVING
- ISO TURNING INSERTS & HOLDERS
- SPECIAL DESIGN CARBIDE TOOLS

Vidheksh
SLIDING HEAD SOLUTIONS



TOOLINGS FOR SLIDING HEAD MACHINE

BACK





Product Range : -

- GUN DRILLS
- GUN DRILL MACHINE ACCESSORIES

Vidheksh
SLIDING HEAD SOLUTIONS



GUN DRILL SOLUTION

BACK





KEMMER

HARTMETALLWERKZEUGE GmbH



Product Range : -

- PARTING | GROOVING
- TURNING ISO INSERTS & HOLDERS
- SPECIAL DESIGN CARBIDE TOOLS

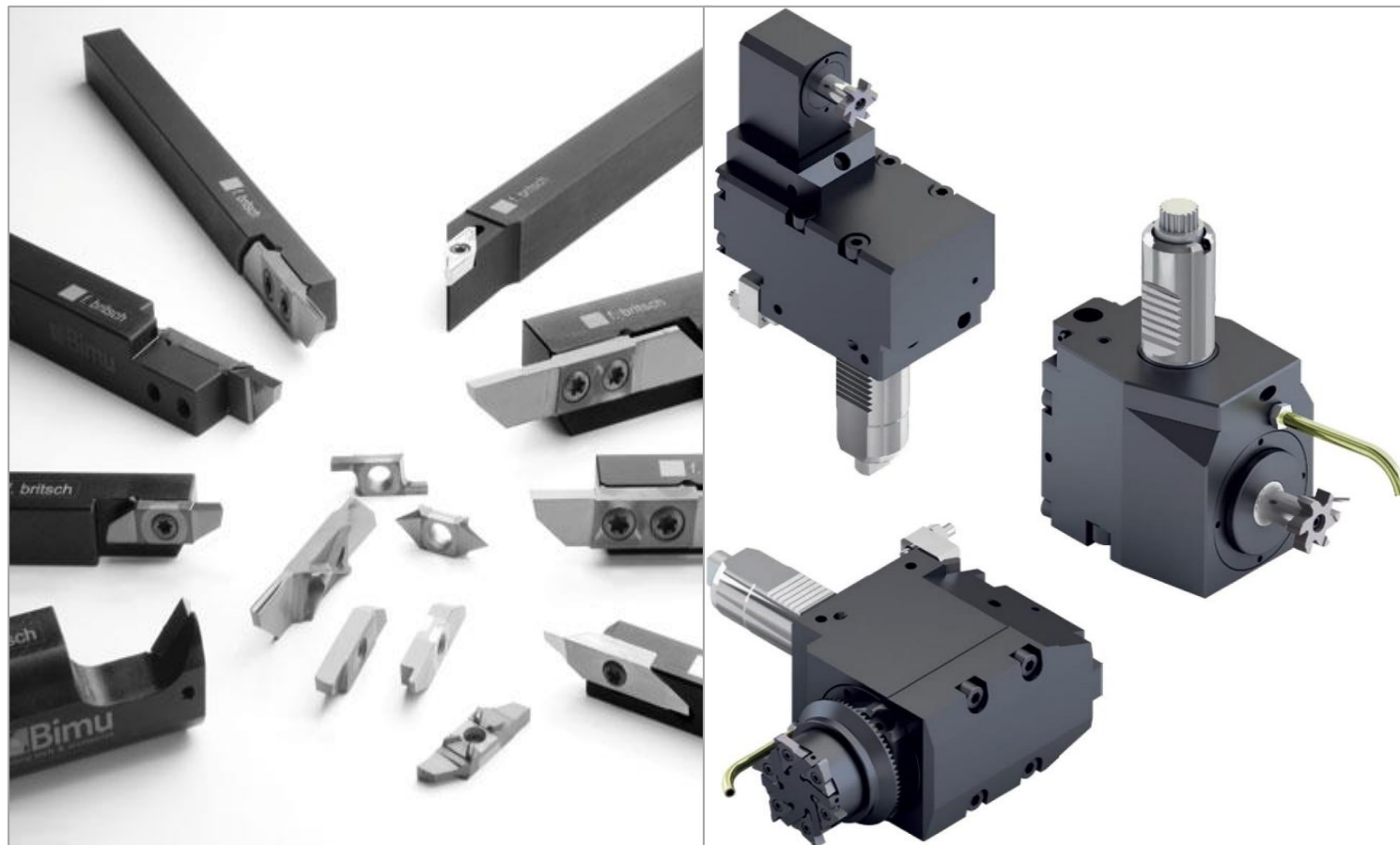
Vidheksh
SLIDING HEAD SOLUTIONS



TOOLS FOR CNC TURNING MACHINE

BACK





Product Range : -

- CUTTING TOOLS
- MACHINE ACCESSORIES
- LIVE TOOL HOLDERS

Vidheksh
SLIDING HEAD SOLUTIONS



TOOLS & ACCESSORIES FOR SLIDING HEAD

BACK



HAHNREITER
GEWINDETECHNIK



Product Range : -

- STANTARD & SPECIAL TAPS
- STANTARD & SPECIAL DIES
- STANTARD & SPECIAL GAUGES

Vidheksh
SLIDING HEAD SOLUTIONS



THREADING SOLUTIONS

BACK



f. britsch



Product Range : -

- DEAD LENGTH COLLETS
- GUIDE BUSHES
- BAR FEEDER COLLET
- LIVE TOOL HOLDERS
- BACK WORKING HOLDERS
- MACHINE ACCESSORIES

Vidheksh
SLIDING HEAD SOLUTIONS



PRECISION ACCESSORIES FOR SLIDING HEAD

BACK





tecnicrafts®
COLLETS & GUIDE BUSHINGS



Hanwha

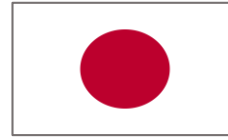


- GUIDE BUSH – CARBIDE LINED
- COLLET (SUB SPINDLE & MAIN SPINDLE)
- FEED FINGER CHUCK

TECNICRAFTS



Vidheksh
SLIDING HEAD SOLUTIONS



- High RPM Motor Spindles generates RPM up to 80000 Available in BT, HSK Shanks.
- Suitable for Vertical machining centres like Haas, DMG, Mazak, BFW, ACE Etc. Models
- Suitable for Swiss Type Machines like Citizen, Tornos, DMG, Hanwha, Tsugami, Star, ACE Etc.

NAKANISHI – HI-SPEED SPINDLE

BACK



ASSOCIATE WITH



Vidheksh
SLIDING HEAD SOLUTIONS



PCM

be driven.



- Rotary Broaching Tools
- Live Tools for CNC Swiss Automatics
- Accessories like Tapping Collets, ER Collet etc.
- Tool Holders for Hydromat Rotary Transfer Machines

PCM - SWISS SOLUTION



ASSOCIATE WITH

BACK



Vidheksh
SLIDING HEAD SOLUTIONS



- EXTERNAL TURNING / TREADING TOOLS
- INTERNAL BORING TOOLS
- MICRO DRILLS

WHIZCUT - SWISS TOOLING

BACK



ASSOCIATE WITH



Vidheksh
SLIDING HEAD SOLUTIONS



BURNISHING TOOLS



KNURLING TOOLS



KNURLS



BROACHING HEADS



BROACHES



TURNING TOOLS

INTEGI – KNURLING & BROACHING

BACK



ASSOCIATE WITH



Vidheksh
SLIDING HEAD SOLUTIONS



- Work piece & Tool Clamping
- Holders for Cutting Tools
- Reduction Sleeve & Boring Bar Holders
- Spindle Attachment
- Tools for Star, Traub, Index, Strohm, Spinner, Tornos...

INOPART - SWISS SOLUTION

BACK

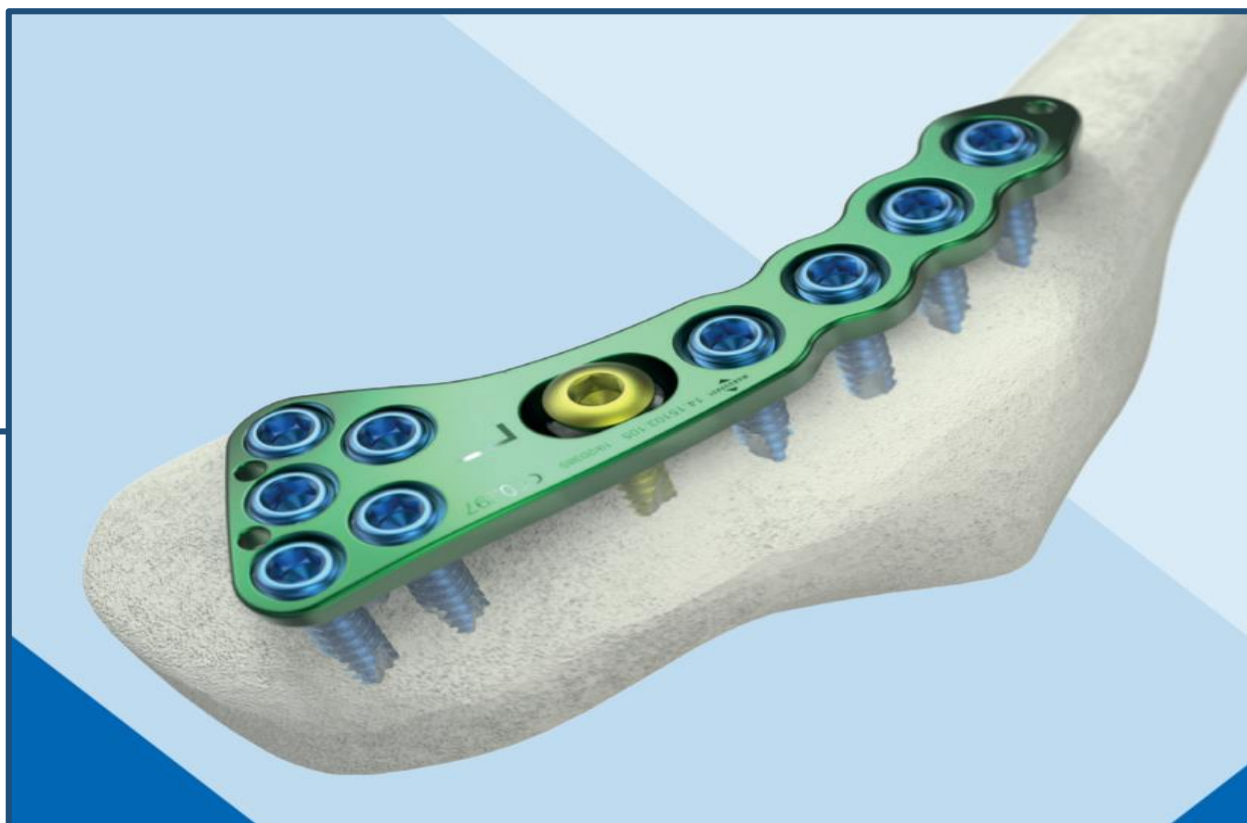


ASSOCIATE WITH



Vidheksh
SLIDING HEAD SOLUTIONS

SURGICAL PLATES



- Product (Sample) Scanning
- Product (3D) Modeling
- 2D Drafting (Drawing Preparation)
- Wirecut / Lasercut Profile (Unbend)
- Bending Die / Punch
- VMC Fixture
- Tool Development, Trial & Approval
- CAM Support

Vidheksh
SLIDING HEAD SOLUTIONS



PRODUCT DEVELOPMENT - PLATES

BACK



SURGICAL SCREWS



Spine

Trauma

Dental

Product (Sample) Scanning

Product (3D) Modeling

2D Drafting (Drawing Preparation)

Tools Design Development

Customer Approval for Design

Tool Trial and Approval

CAM Support

Vidheksh
SLIDING HEAD SOLUTIONS



PRODUCT DEVELOPMENT - SCREWS

BACK





Product Name	Product Photo	Screw Dia.
CORTICAL SCREW		Ø2.40mm Ø2.70mm Ø3.50mm Ø4.50mm
CANCELLOUS / CANNULATED SCREW		Ø3.50mm Ø4.00mm Ø5.00mm Ø6.50mm Ø7.00mm
LHS SCREW		Ø2.40mm Ø2.70mm Ø3.50mm Ø5.00mm
INTERLOCKING NAIL SCREW (BOLT)		Ø3.00mm Ø3.40mm Ø3.90mm Ø4.90mm
PFN SCREWS		Ø6.00mm Ø6.70mm Ø7.50mm
SPINAL SCREWS		CUSTOM DESIGN
DENTAL SCREWS		CUSTOM DESIGN

SURGICAL SCREW INSERTS



Vidheksh
SLIDING HEAD SOLUTIONS





ab har business banega digital



CHANNEL SALES DECK

BEST ACCOUNTING SOFTWARE FOR MSME's

Vyapar Customer Profile - Scope

Vyapar is useful for any type of retail and trading business

Target groups



Small Business
Retail, Hardware Shop, General Store, Grocery Store, Medical Shop, Hotel, Restaurant, Beauty Salons



Trading
Wholesale, Distribution, Warehousing



Services
Education, Transport, Events, Entertainment, Logistics

Our Referral code : **VXQJP3**

VYAPAR ACCOUNTING SOFTWARE



Vidheksh
SLIDING HEAD SOLUTIONS

BACK



Our Referral code : **VXQJP3**

BEST GST BILLING SOFTWARE FOR INDIAN BUSINESS

- ✓ **INVOICING**
- ✓ **INVENTORY**
- ✓ **ACCOUNTING**



₹ Billing

Create GST bills that comply with the goods and service tax law of India & Share with your customers

📦 Inventory

Track complete inventory with parameters like batch number, expiry date, and all other details.

📊 Accounting

Record, manage & track your business activities digitally. Managing cash flow efficiently.

📄 GST Reports

The app allows businesses to easily generate monthly or quarterly GST reports.

🛒 Online Store

Create a Free online store in just a click, get more business through online orders.

🚚 E-way Bill Generation

After you make the invoice you can share the invoice with the E-way Bill no in just one click.

🔄 Auto Sync

Enable "Auto Sync" option to synchronize mobile data with desktop.

📁 Auto Backup

Advanced free invoicing & accounting software that provides hassle free backup system.

30 DAYS FREE TRIAL



Name : **VIRAL MEHTA** (VIDHEKSH SLIDING HEAD SOLUTIONS)

Mobile : **99796 86648**

Email : **SOLUTION@VIDHEKSH.COM**

EXCLUSIVE OFFER!

Use the link below to download Vyapar and get extra validity on licence purchase:

[..... https://vyaparapp.in/?referrer_code=VXQJP3]

VYAPAR ACCOUNTING SOFTWARE



Vidheksh
SLIDING HEAD SOLUTIONS

BACK



Our Referral code : **VXQJP3**



Comparison between Vyapar and other accounting applications

Feature	Tally	Marg	Vyapar
Mode of operations	Only Offline	Only Online	Can be used online & offline both
Invoice Themes	Only 1 Theme available	Only 1 Theme available	10+ themes available (GST & without GST)
Payment Reminder	Cannot send	Cannot send	Can send
Auto Transaction SMS	Not available	Not available	Available
Access data anywhere anytime (Sync)	Not available	Available with Internet	Available with Internet
Ease of Use	Requires heavy training & accounting knowledge	Requires training & accounting knowledge	Very easy to use (No training & accounting knowledge required)
Price	21,840 for 10 years + Annual maintenance	15,300 for 10 years + Up-gradation charge	Starts at 1,999 for 1 year No hidden charges + Free Upgrades

EASY TO USE & MANAGE DATA

CONTACT US FOR FREE DEMO

VYAPAR ACCOUNTING SOFTWARE



Vidheksh
SLIDING HEAD SOLUTIONS

BACK



Our Referral code : **VXQJP3**



Vyapar is a Billing and Accounting Software

made in India for small businesses (MSMEs) to help with their billing, inventory and accounting needs. The company was established in 2016 with Headquarters in Bangalore and has an employee strength of 130+

About the product



Vyapar is the most secure and easy to use application for billing, accounting & inventory management



Available for android smartphones and desktop software running on Windows operating system



Customers can use Vyapar on multiple devices with data sync



~ 5 Million mobile app installs (google playstore) – 4.6 Stars (53K reviews)



~ 1 Million desktop software downloads

VYAPAR ACCOUNTING SOFTWARE



Vidheksh
SLIDING HEAD SOLUTIONS

BACK



**PLEASE CONTACT
US FOR FURTHER
ASSISTANCE**

THANK YOU

VIRAL MEHTA

99796 86648

98799 86648